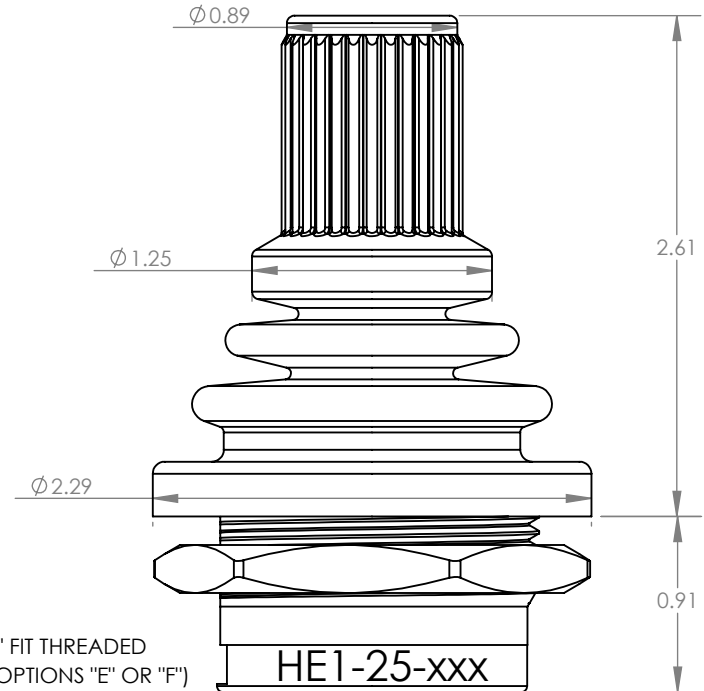
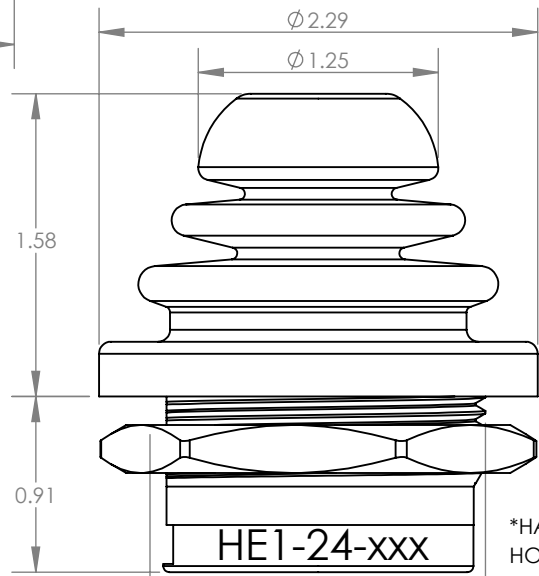
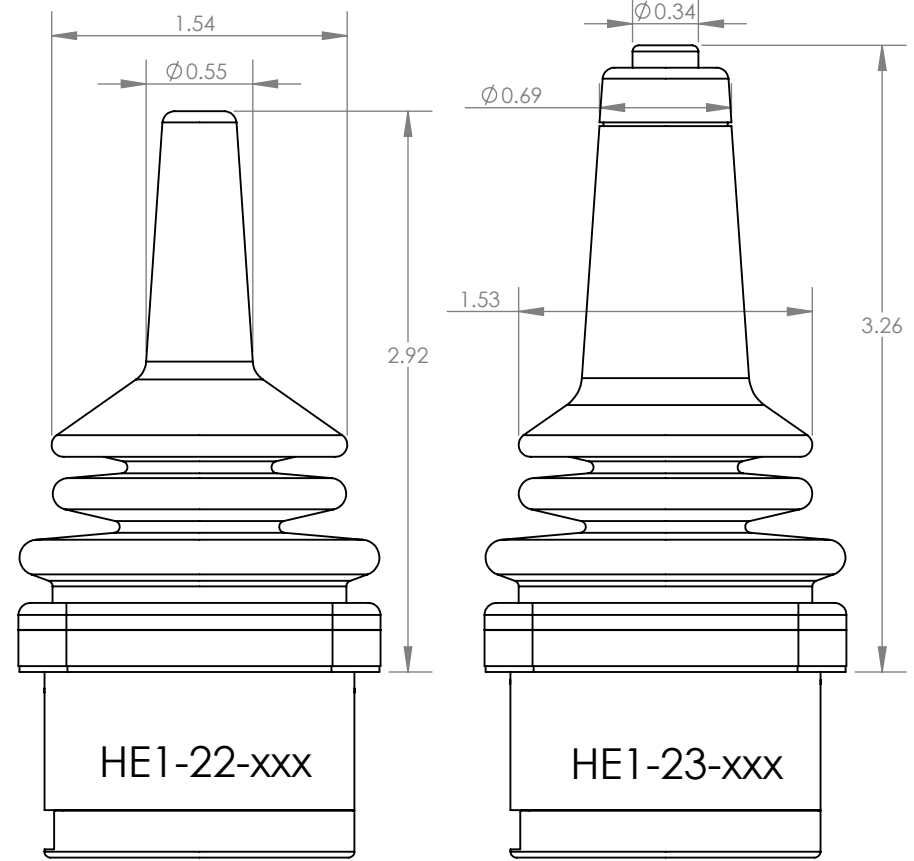
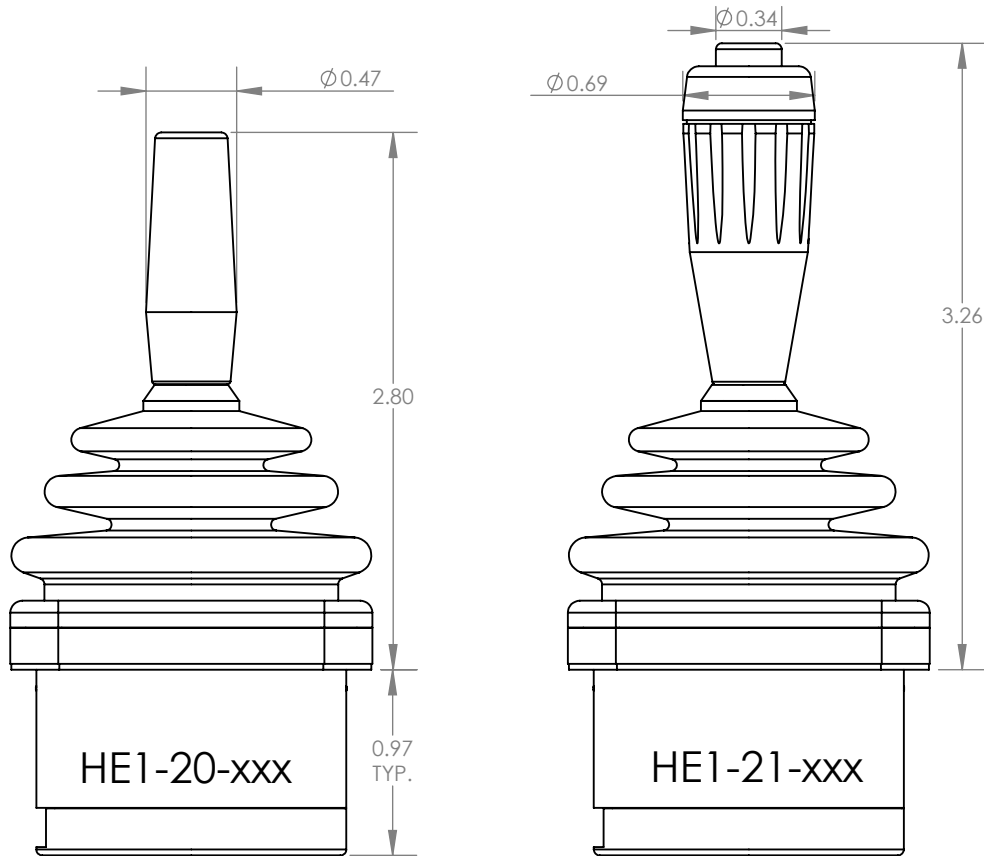


HE1 SERIES - HANDLE OPTIONS (2 AXIS)

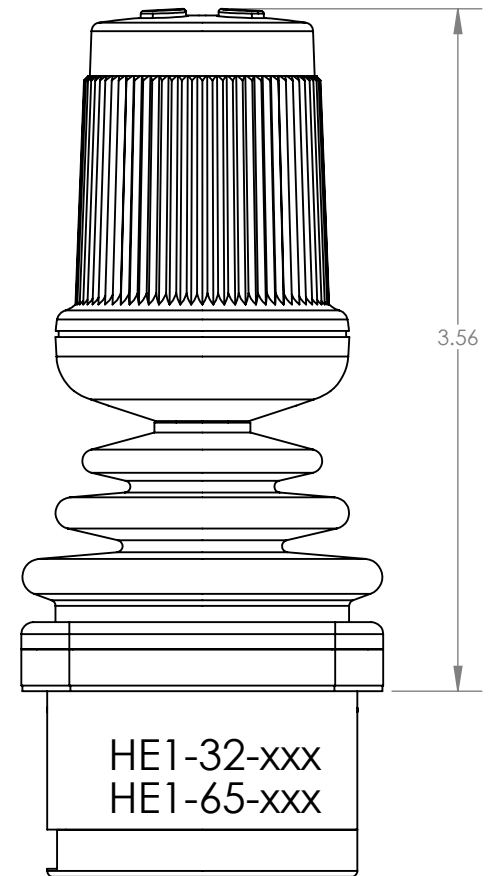
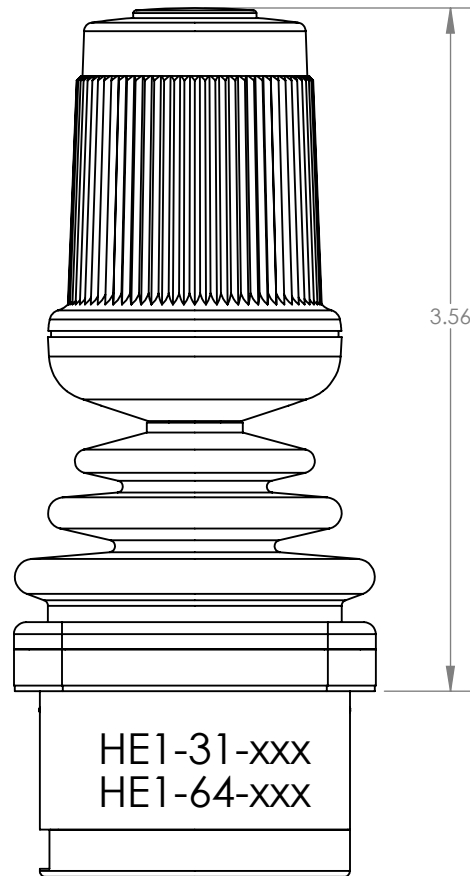
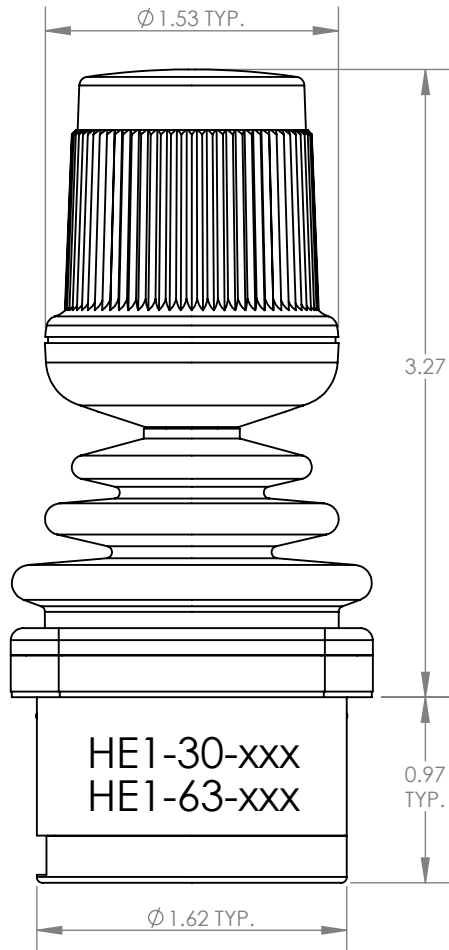
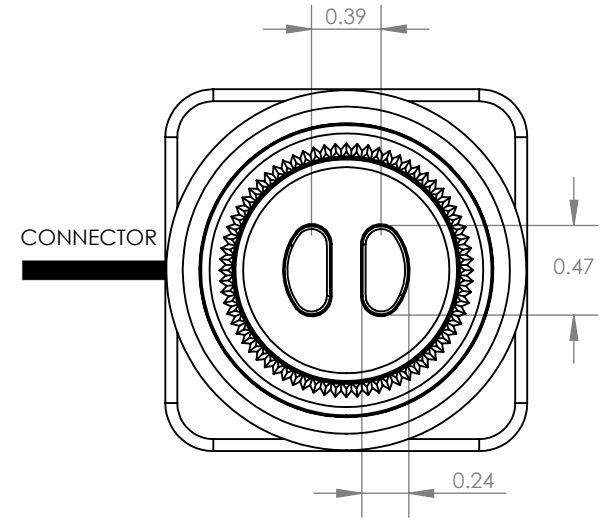
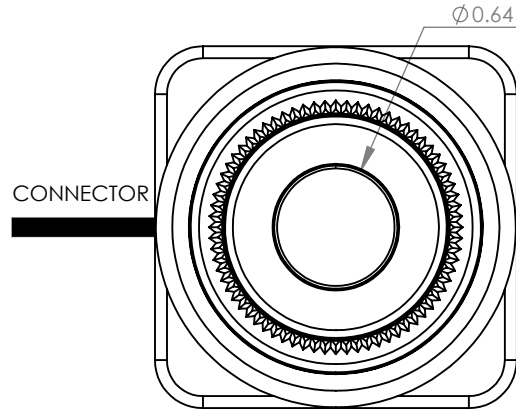
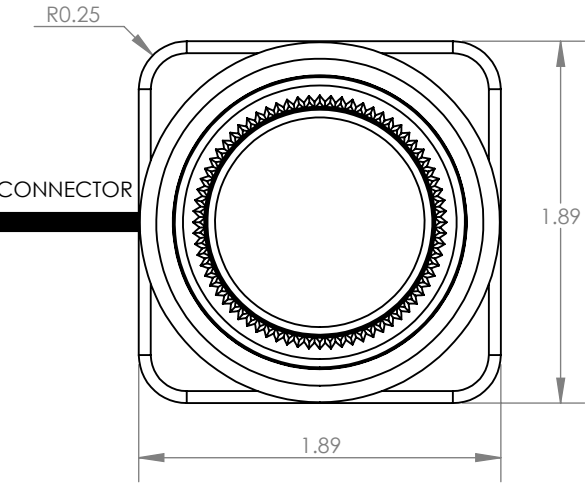
ALL HANDLES AVAILABLE WITH ANY MOUNTING OPTION UNLESS OTHERWISE SPECIFIED



*HANDLE OPTIONS "24" & "25" FIT THREADED HOUSINGS ONLY (HOUSING OPTIONS "E" OR "F")

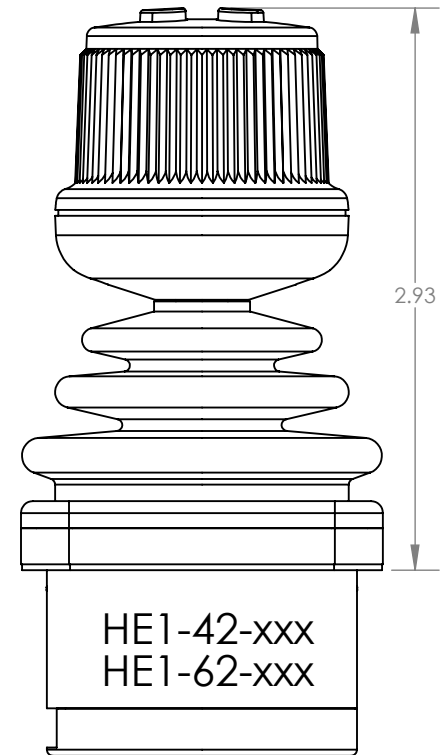
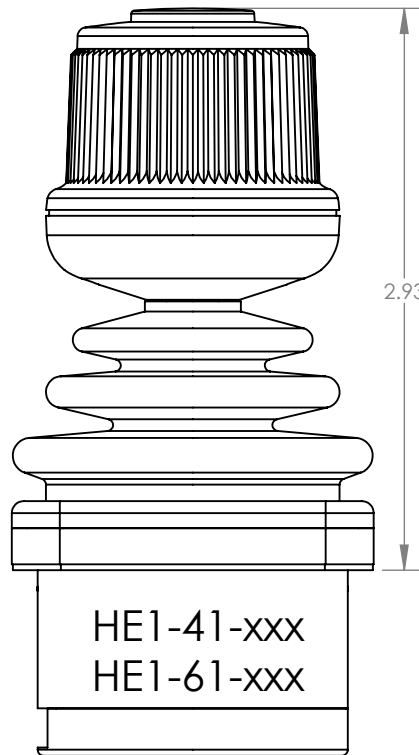
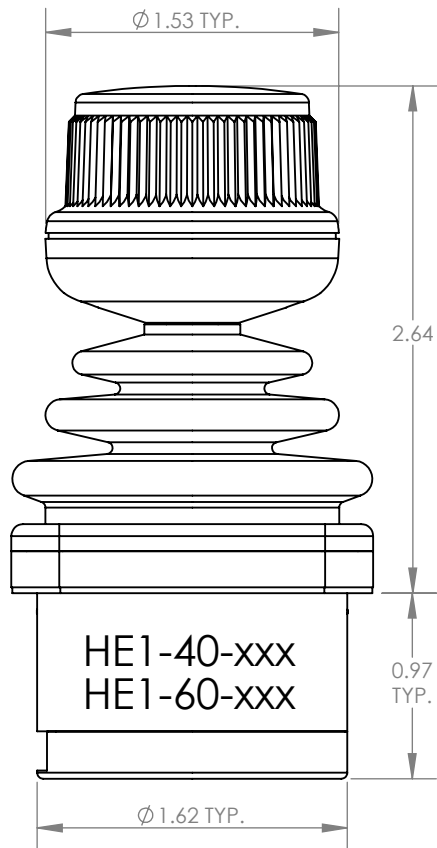
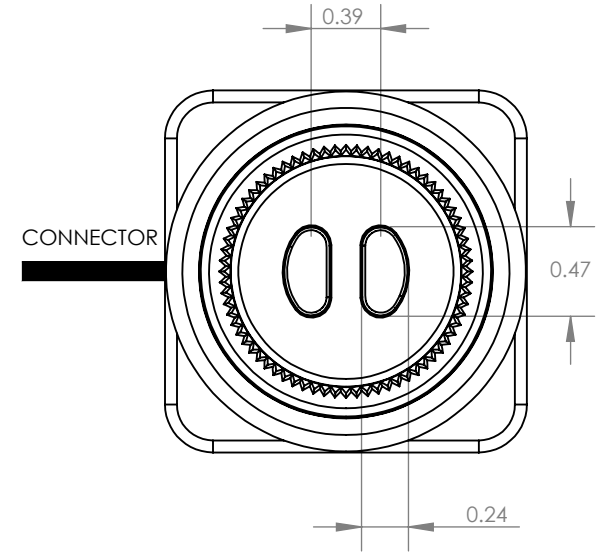
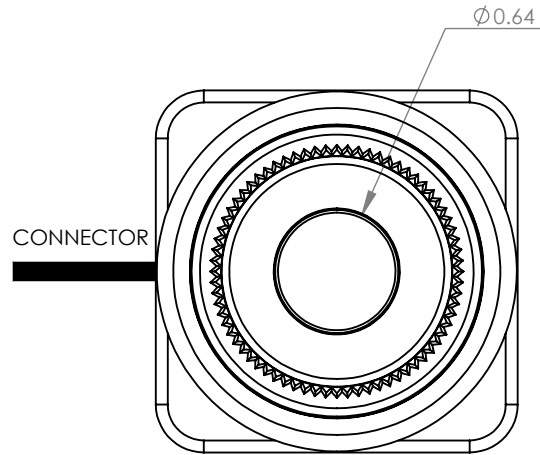
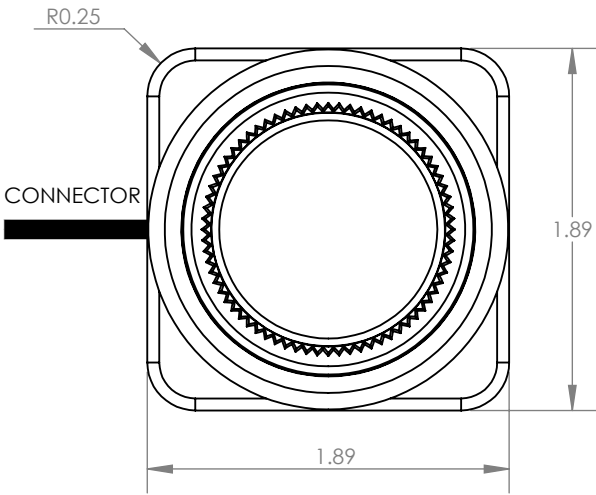
HE1 SERIES - HANDLE OPTIONS

3 AXIS (STANDARD Z AXIS) & 2 AXIS WITH LOCKED Z HANDLE

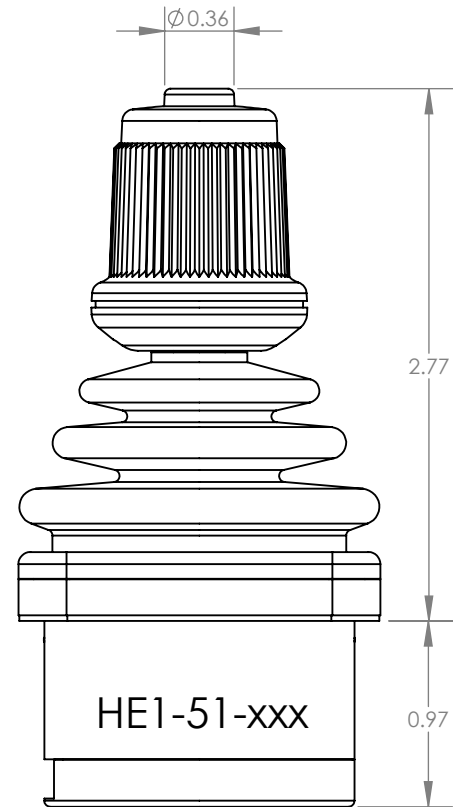
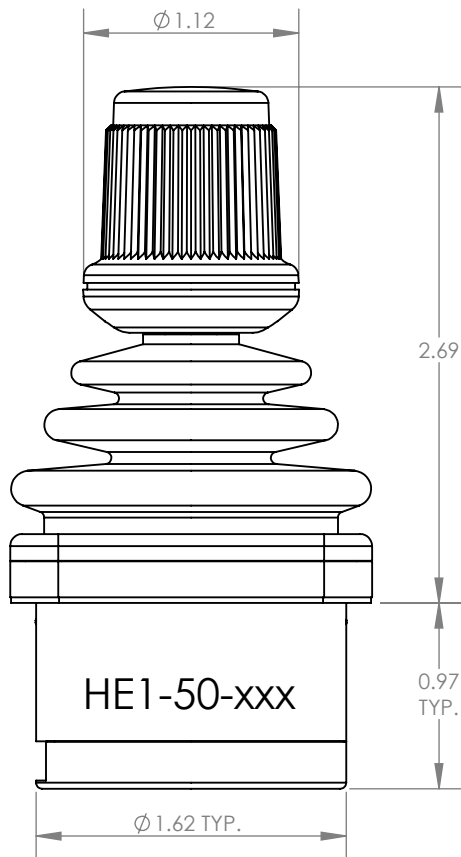
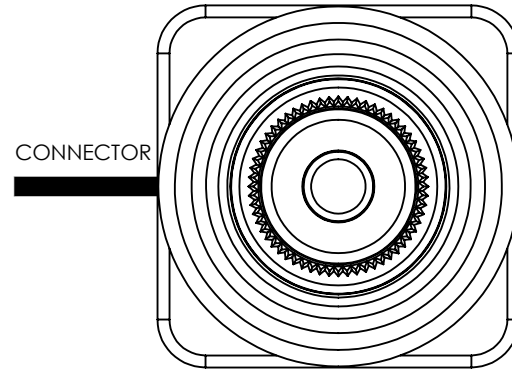
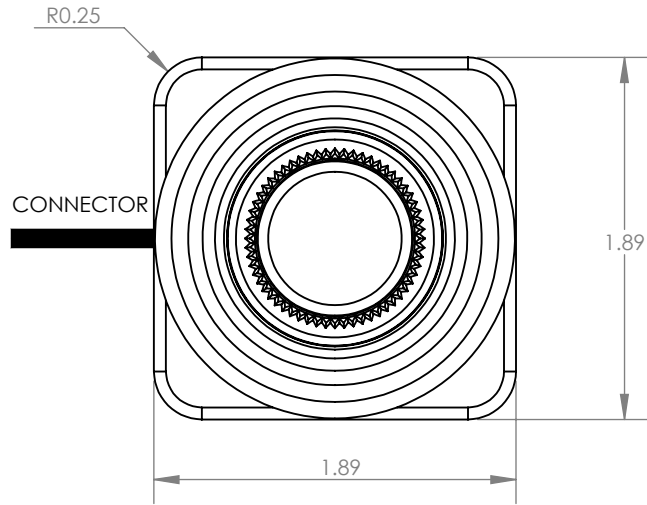


HE1 SERIES - HANDLE OPTIONS

3 AXIS (LOW PROFILE Z AXIS) & 2 AXIS WITH LOCKED Z HANDLE



HE1 SERIES - HANDLE OPTIONS (3 AXIS, SLIM Z AXIS)



HE1 SERIES - HANDLE OPTIONS (2 AXIS IP67 SEALED)

